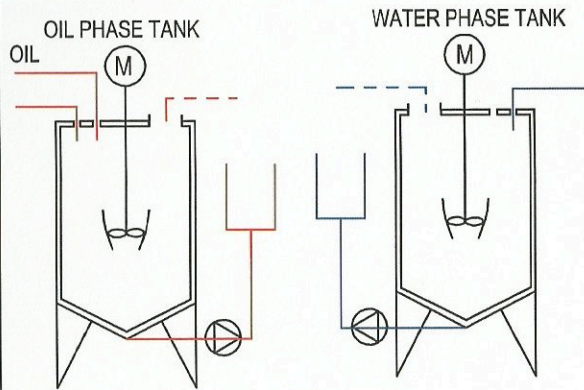
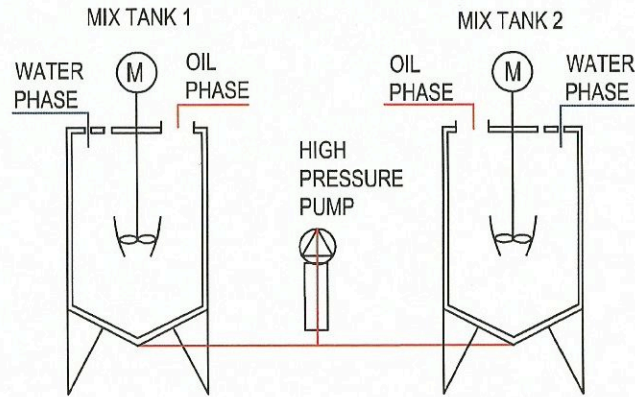


PREPARATION SYSTEMS



MIXING SYSTEMS



PACKAGING MACHINES

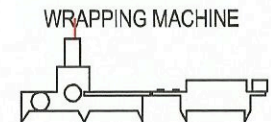
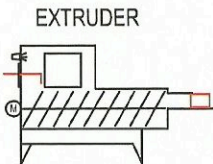
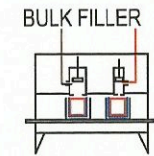
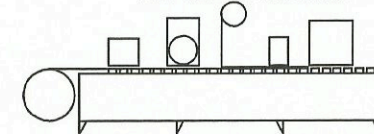


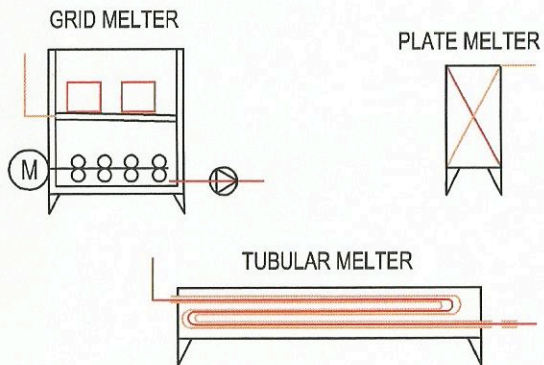
PLATE / BLOCK FORMING MACHINE



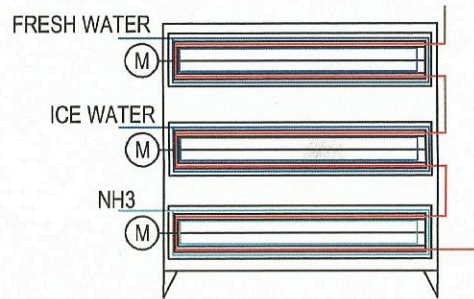
CUP FILLING MACHINE



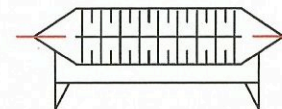
MELTING SYSTEMS



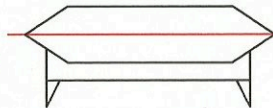
CONVECTOR



PIN WORKER



RESTING TUBE



CIP STATION

1=FAT 2=FRESH WATER 3=DETERGENT BUTTER MAKING MACHINE
4=DETERGENT TANK;ETC 5=HOT WATER 6=ACID

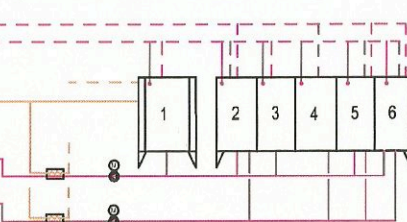
RETURN TANKS; ETC.

RETURN BUTTER MAKING MACHINE

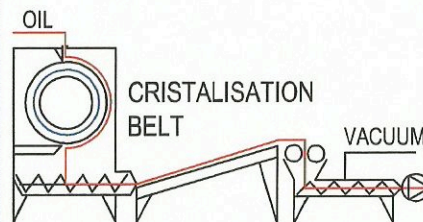
STEAM

SUPPLY BUTTER MAKING MACHINE

SUPPLY TANKS; ETC.

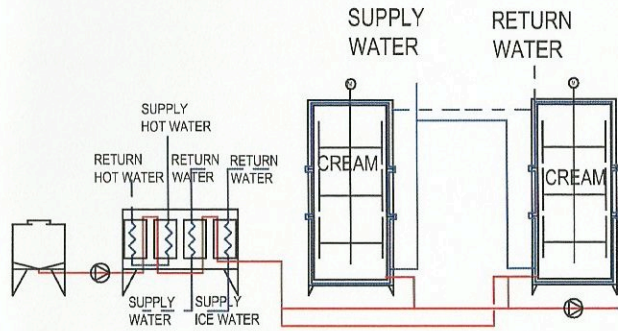


COOLING DRUM

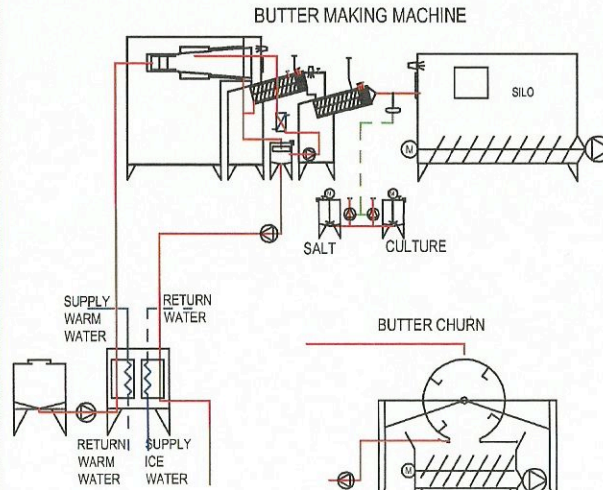


STUECK	GESAMT	POS.	MATERIAL	MODELL	BEMERKUNGEN		
-	-	-	-	-	-		
ERSATZ DURCH:							
ERSATZ FUER:							
FLOW SHEET EGLI MARGARINE EQUIPMENT				MASSSTAB	GEZEICHNET	-	NE
					GEPRUEFT	-	-
				GESEHEN			
<small>EGLI AG MASCHINENBAU CH-9606 BUETSCHWIL E-MAIL info@egli.com INGENIEURBUERO</small>				<small>TEL. +41 71 9835533 FAX. +41 71 9831565 E-MAIL info@egli.com VERFAHRENSTECHNIK</small>			
EGLI				BUTTEREIANLAGEN			
				3.2005.000.00			

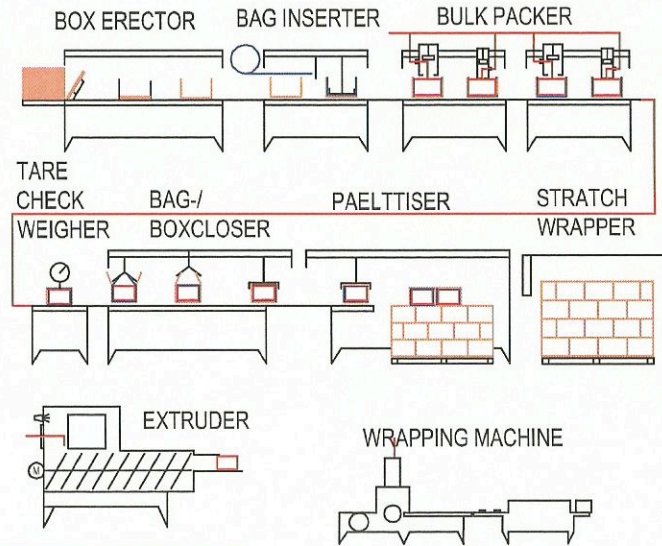
CREAM MATURING



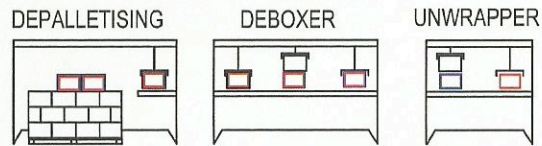
BUTTER MAKING PROZESS



PACKAGING MACHINES



DEBOXING EQUIPMENT



BUTTER REWORKING

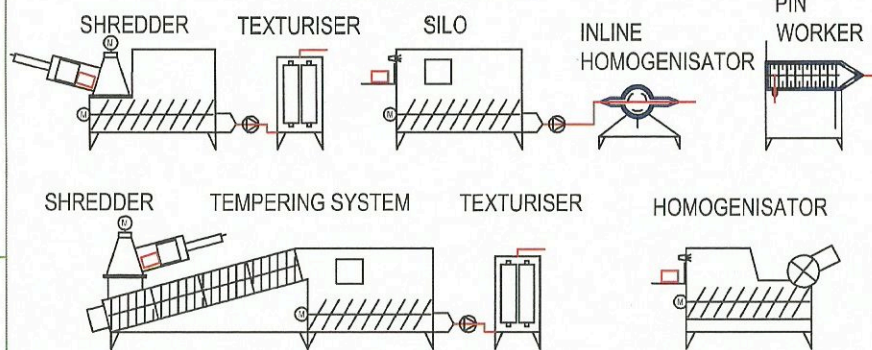
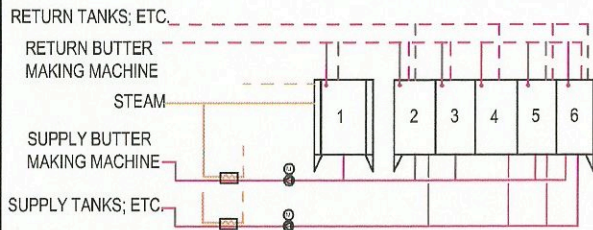


PLATE / BLOCK FORMING MACHINE

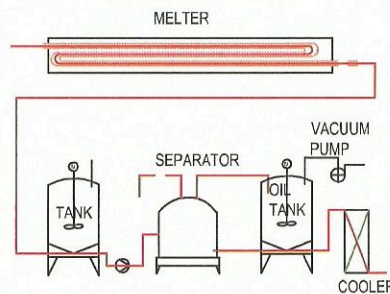
CUP FILLING MACHINE

CIP STATION

1=FAT 2=FRESH WATER 3=DETERGENT BUTTER MAKING MACHINE
4=DETERGENT TANK,ETC 5=HOT WATER 6=ACID



BUTTER OIL PROCESSING



STUECK	GEGENSTAND	POS.	MATERIAL	MODELL	BEMERKUNGEN
-	-	-	-	-	-
ERSETZT DURCH:					
ERSATZ FUER:					
FLOW SHEET EGLI BUTTER EQUIPMENT			MASSSTAB	GEZEICHNET	-
				GEPRUEFT	-
				GESEHEN	-
EGLI AG MASCHINENBAU CH-9606 BUETSCHWIL E-MAIL info@egliag.com INGENIEURBUERO			TEL. +41 71 9835533 FAX. +41 71 9831565 E-MAIL info@egliag.com VERFAHRENS-TECHNIK		EGLI BUTTERANLAGEN
					3.2004.000.00